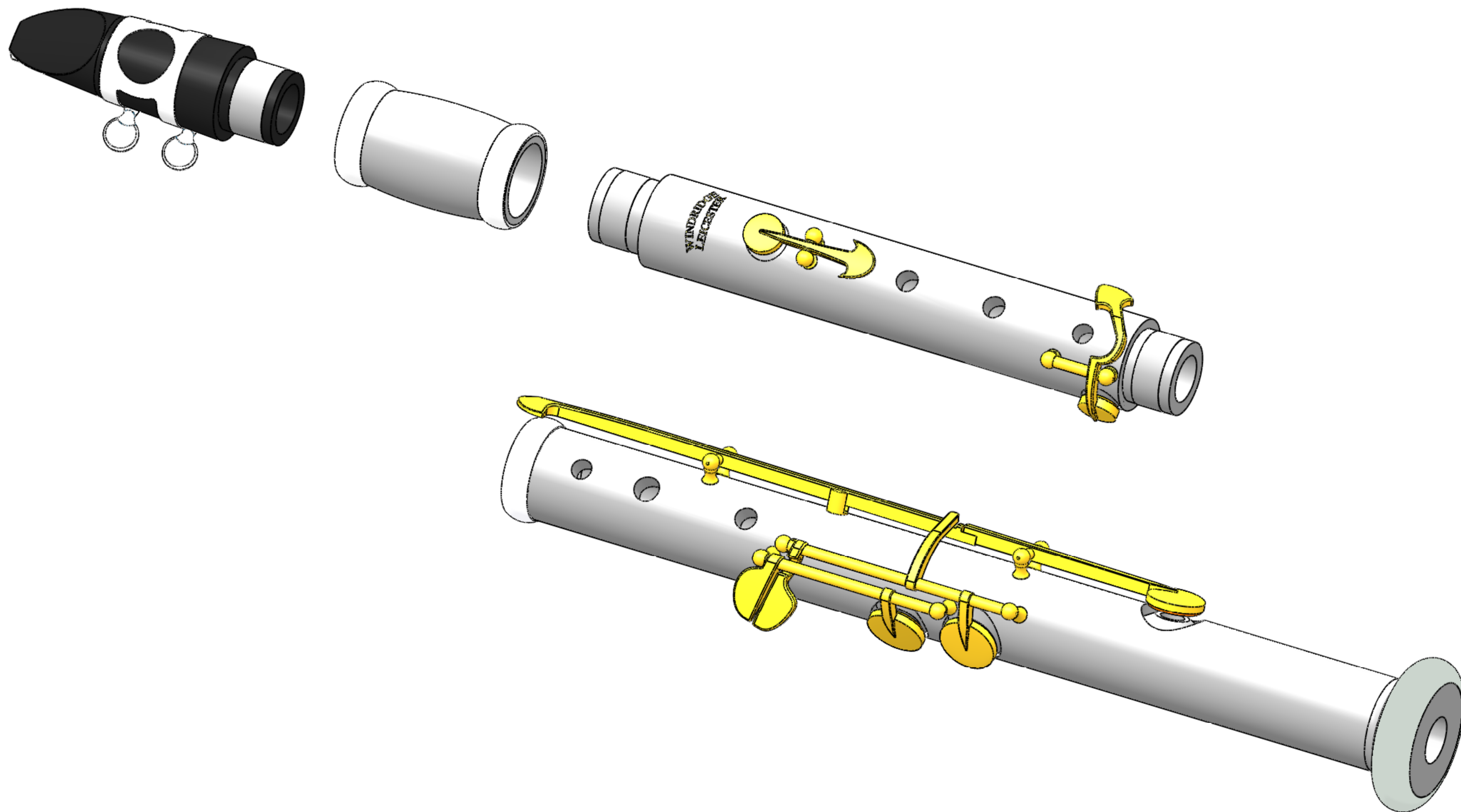


<p>CLIENT PAUL WINDRIDGE</p>	<p>PROJECT</p>	<p>TITLE CHALUMEAU ASSEMBLY</p>	<p>CAD MODELLING BY MICHAEL SANDERS E: michael@sandersdesign.co.uk DD:</p>	<p>Date 21/05/08 Drawing No.. -</p>	<p>Scale 1:1 (A2) Revison -</p>	<p><b>Paul Windridge</b> TEL 0116 269 3462 COPYRIGHT 2006</p>
----------------------------------	----------------	-------------------------------------	--	---	-------------------------------------	---



<b>CLIENT</b> PAUL WINDRIDGE	<b>PROJECT</b> CHALUMEAU	<b>DESCRIPTION</b> EXPLODED	<b>CAD MODELLING BY MICHAEL SANDERS</b> E: michael@sandersdesign.co.uk DD:	<b>Date</b> 22/05/08 <b>Drawing No.</b> -	<b>Scale</b> 1.3:1 (A2) <b>Revision</b> -	<b>Paul Windridge</b> TEL 0116 269 3462 COPYRIGHT 2006
---------------------------------	-----------------------------	--------------------------------	--	--	--	--